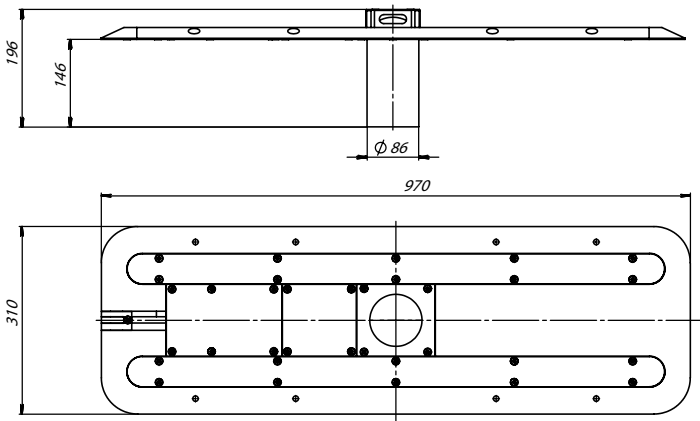


Under Vehicle Surveillance System

SecurOS UVSS



SecurOS UVSS is a hardware-software based system of remote under-vehicle surveillance. The system creates a database of high-resolution undercarriage images and recognized vehicle license plates.

SecurOS UVSS provides high-quality images of the entire width of a vehicle's undersides. Moreover it is a cost-effective and convenient solution for visual inspection of all types of vehicles: from passenger vehicles to trucks and trailers. It is a perfect solution for governmental, military, corporate, and transportation facilities — wherever particular vehicle monitoring is required.

Advantages

- Compact UVSS platform does not require time-consuming installation and easy to maintain
- Use of video analytics detectors – no need of physical devices to detect vehicle existence
- Automatic comparison of the undercarriage image with the reference image
- Maximum vehicle speed is up to 15 km/h
- Interoperability with a surveillance camera (-s), Access Control System, barriers, traffic lights, motion control devices, electronic visual display boards

Solution structure

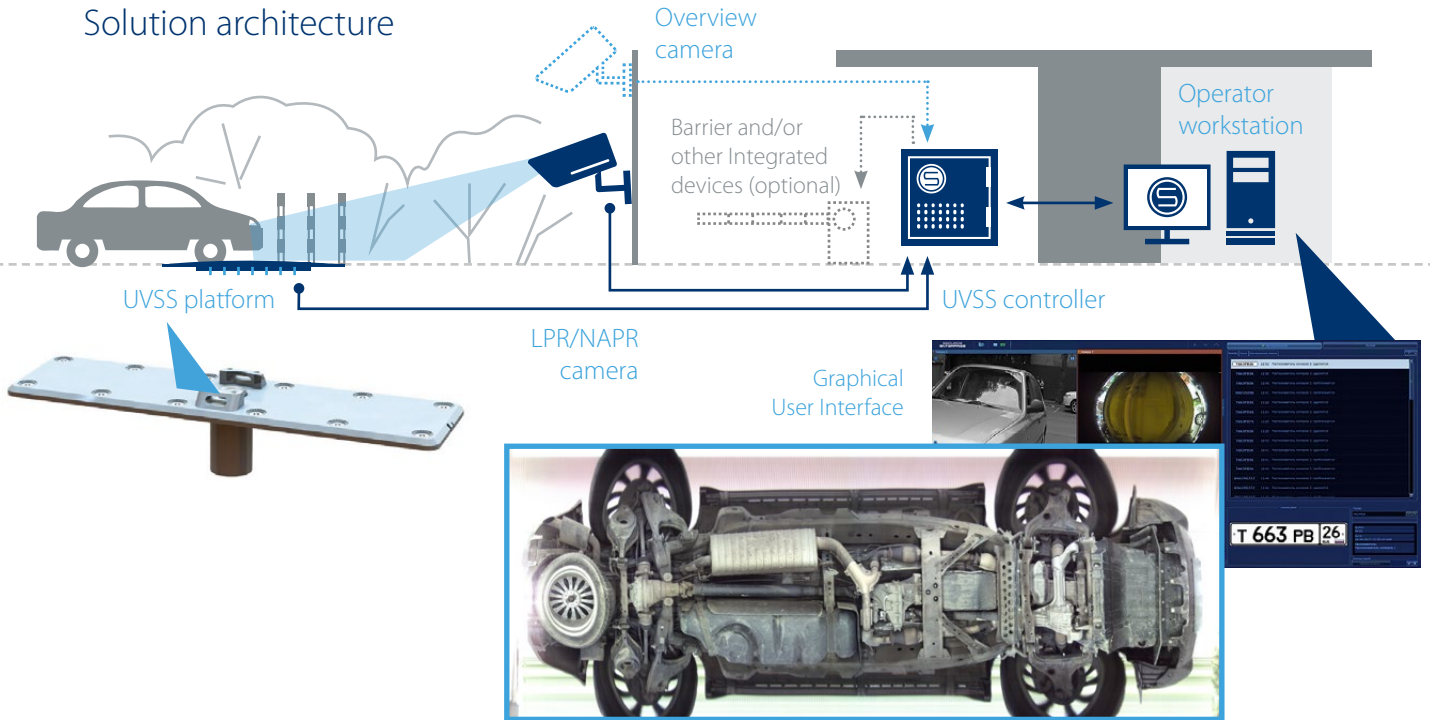
Basic hardware

- **UVSS platform.** IP68 scanning system with Full HD IP camera and fish-eye lens), mounted on the roadway
- **UVSS controller.** Processing server with data storage and integrated video management platform — SecurOS
- **LPR/ANPR IP-camera**
- **Operator Workstation**

Software

- **SecurOS VMS** provides video surveillance, video recording, and hardware-software system management
- **SecurOS UVSS module** provides stitched undercarriage images for visual inspection and automatically detects foreign and/or undeclared items
- **SecurOS Auto** provides license plate recognition, advanced search and watch lists capabilities, etc.
- **Embedded SecurOS API-s** offer interoperability with 3rd-party devices and systems

Solution architecture



Specifications

Type of scanning camera of UVSS-platform	Area scan machine vision camera
Pixel density	9 pixels/cm
Ground clearance	more than 150 mm
Maximum vehicles speed	15 km/h
Lighting system	LED, White-light
Image processing time	up to 3 s
Automatic License Plate Recognition	more than 60 countries supported
Degree of protection	Water resistant
Operating temperature	-40oC ... +60oC
Power	24 V DC / 50 W
Dimensions	970 mm x 310 mm x 196 m (LWD)
Dimension of camera protective body	d. 86 mm, h. 146 mm
UVSS-platform weight	12 kg
Mounting Configuration	Semi-hidden installation (road drilling only for camera protective body)

Applications



Border and customs control



Industrial facilities



Airports and sea ports



Cultural & sports facilities



Warehouse terminals



Construction sites



High-security facilities



INTELLIGENT SECURITY SYSTEMS

ISS Russia
Suvorovskaya str. 19/1, Moscow, 107023, Russian Federation
+7 (495) 645-2121

en.iss.ru | www.iss.ru | info@iss.ru